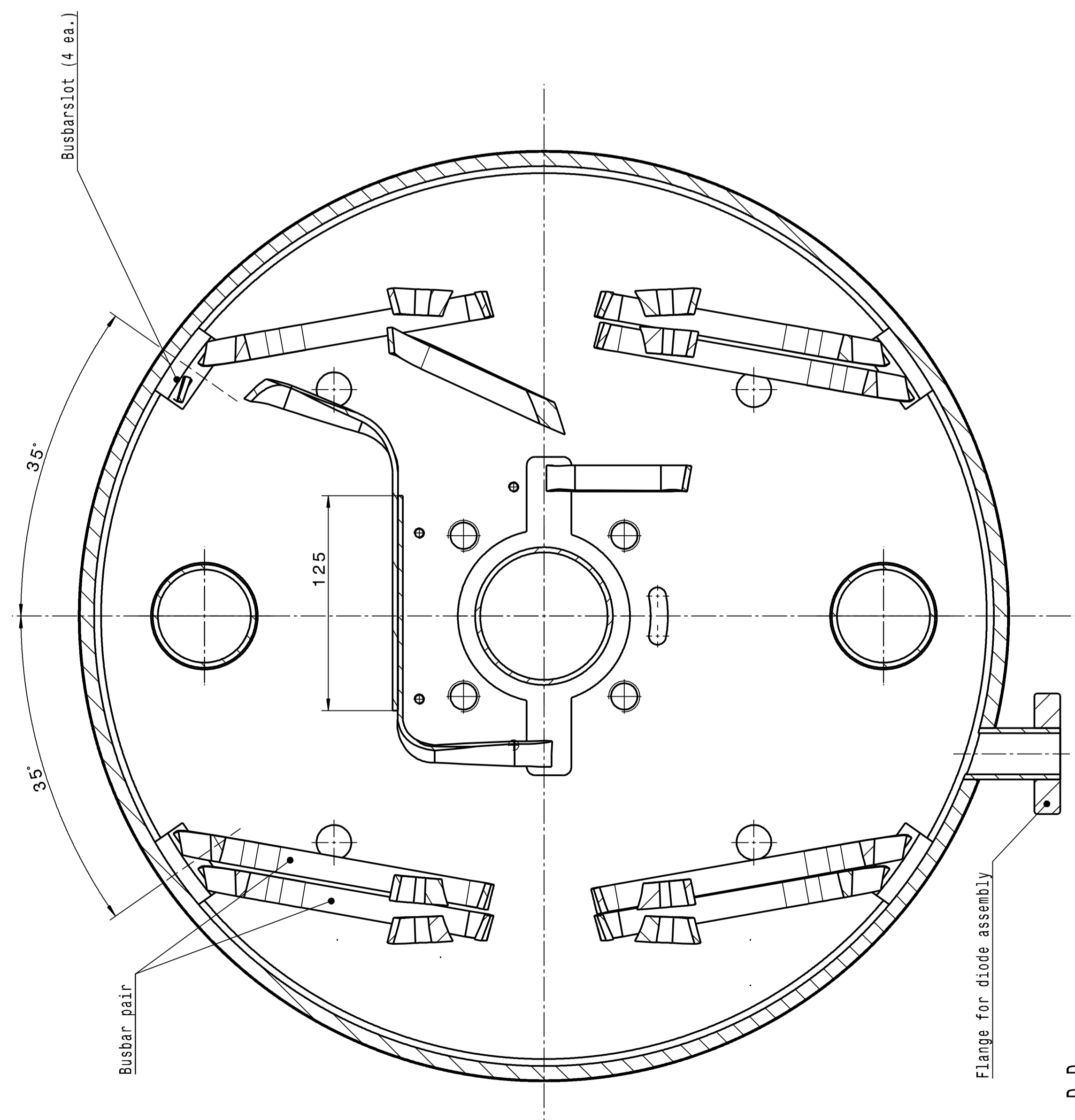
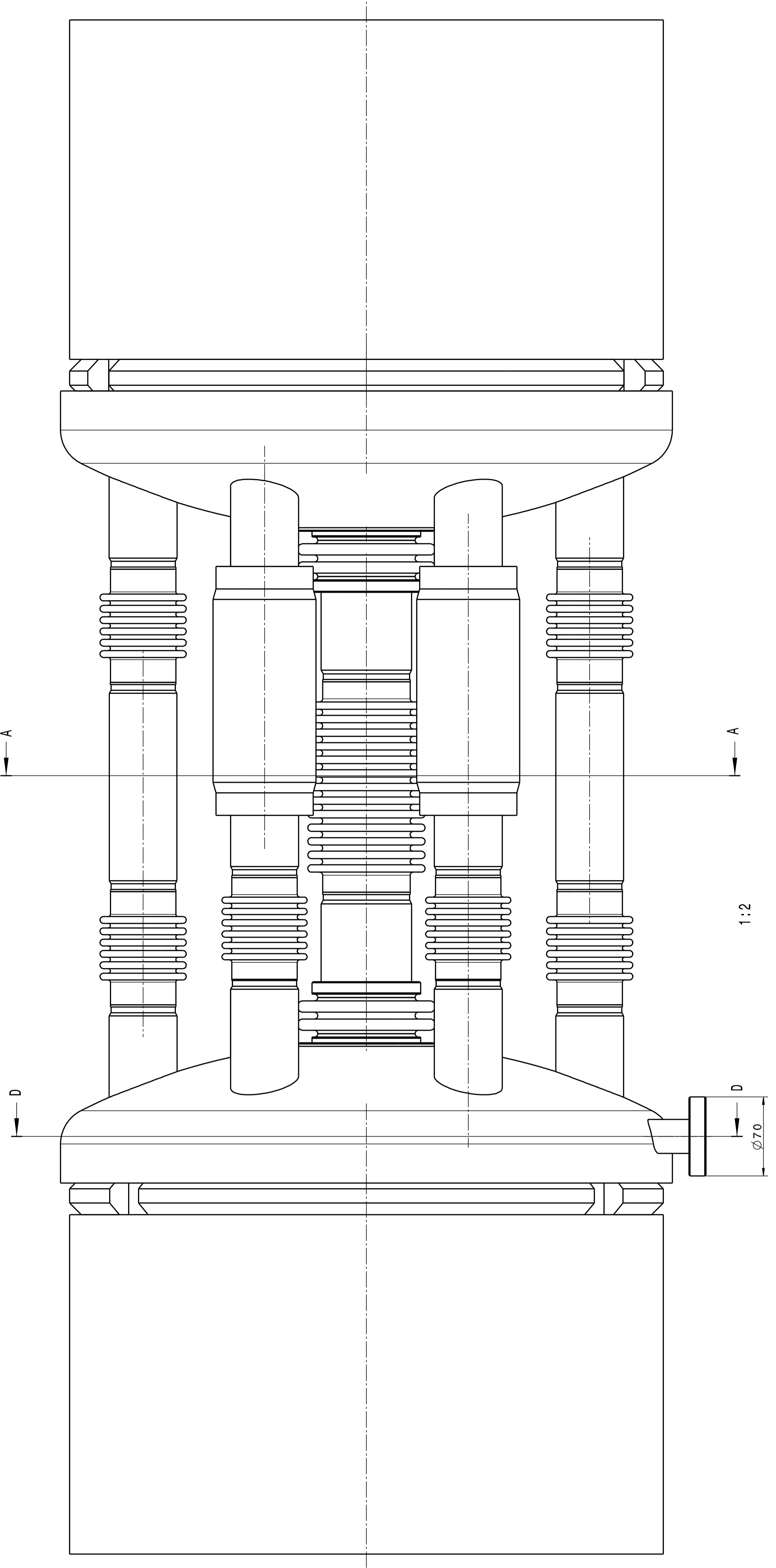
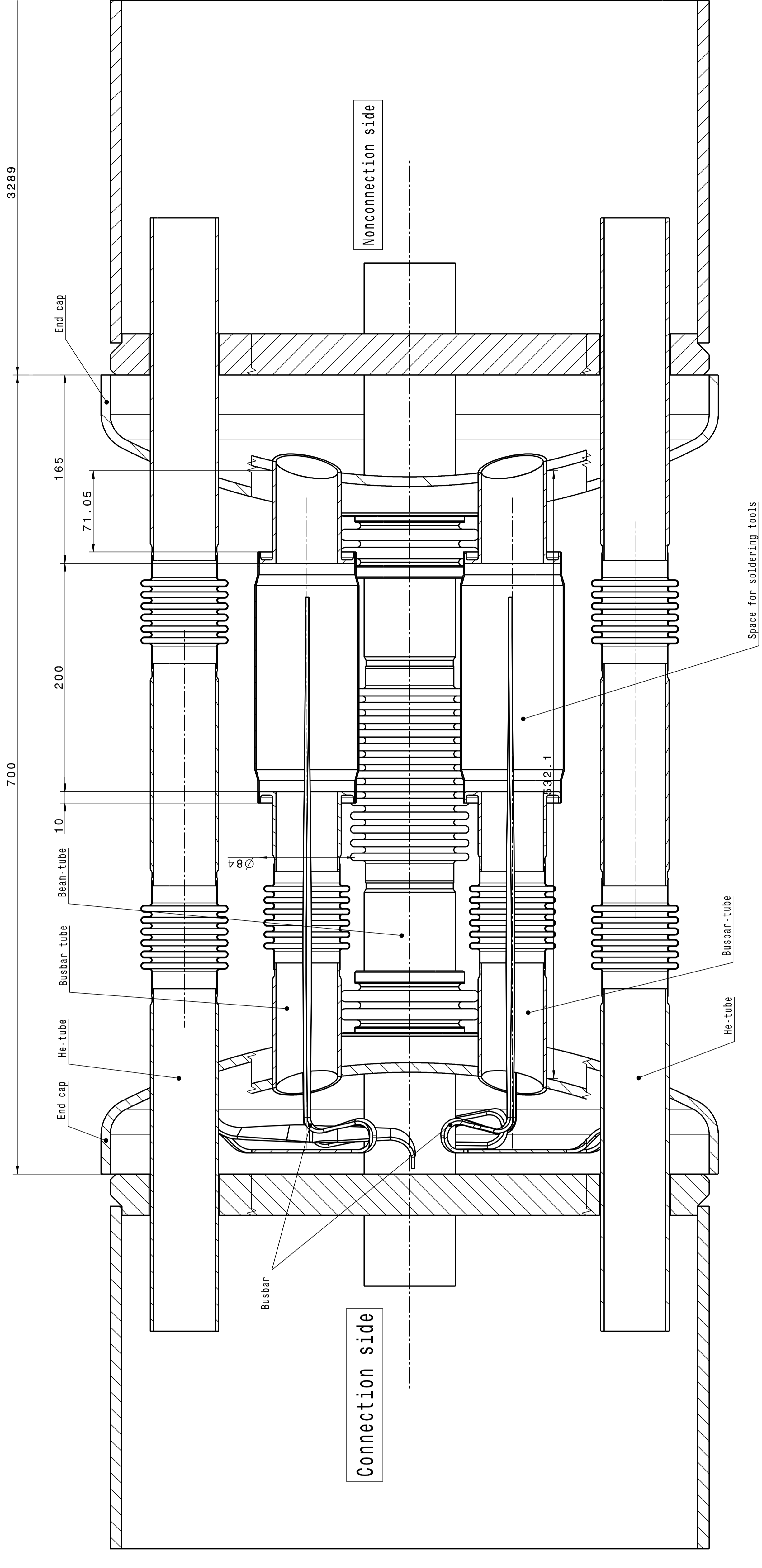


A-A
1:2



D-D
1:2



For information only

REVISIONS	DATE	BY	CHKD	REASON
1	06.09.06			Initial design
2	06.09.06			Final design
3	06.09.06			Final design
4	06.09.06			Final design
5	06.09.06			Final design
6	06.09.06			Final design
7	06.09.06			Final design
8	06.09.06			Final design
9	06.09.06			Final design
10	06.09.06			Final design
11	06.09.06			Final design
12	06.09.06			Final design
13	06.09.06			Final design
14	06.09.06			Final design
15	06.09.06			Final design
16	06.09.06			Final design
17	06.09.06			Final design
18	06.09.06			Final design
19	06.09.06			Final design
20	06.09.06			Final design
21	06.09.06			Final design
22	06.09.06			Final design
23	06.09.06			Final design
24	06.09.06			Final design

Requested magnet distance
Magnet connection SIS 300

GSST
DARMSTADT

Scale: 1:2
Drawing No: 1
Rev: 1
Date: 06.09.06