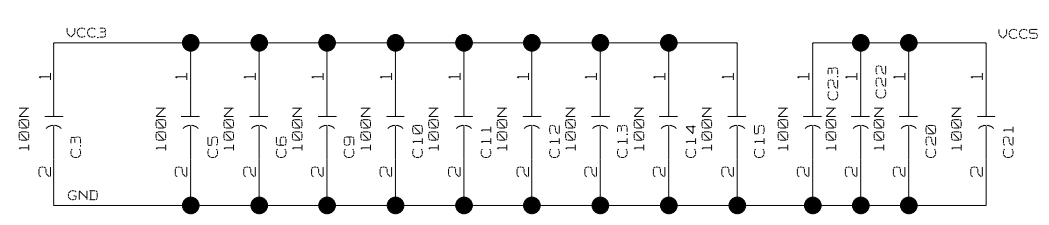
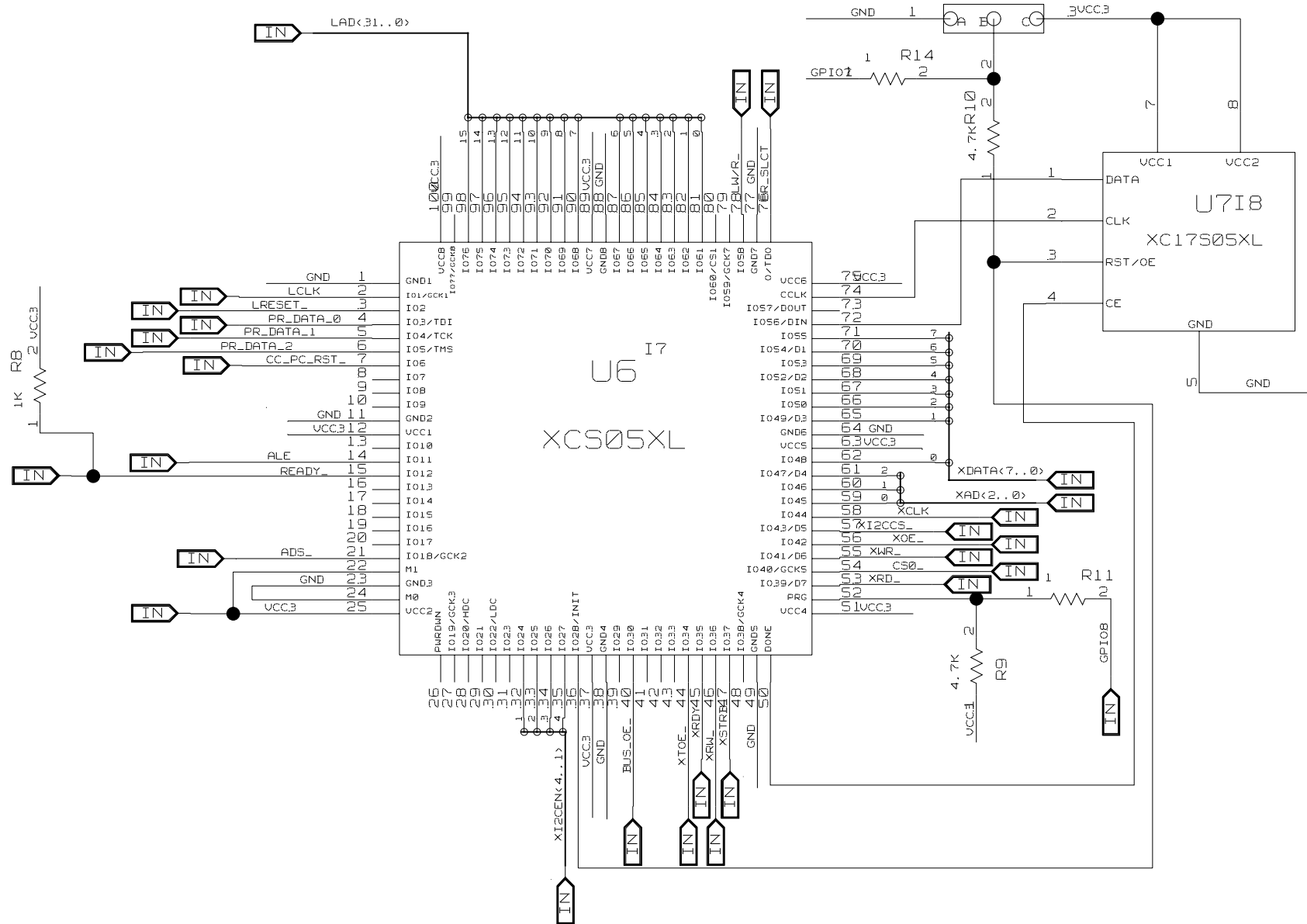
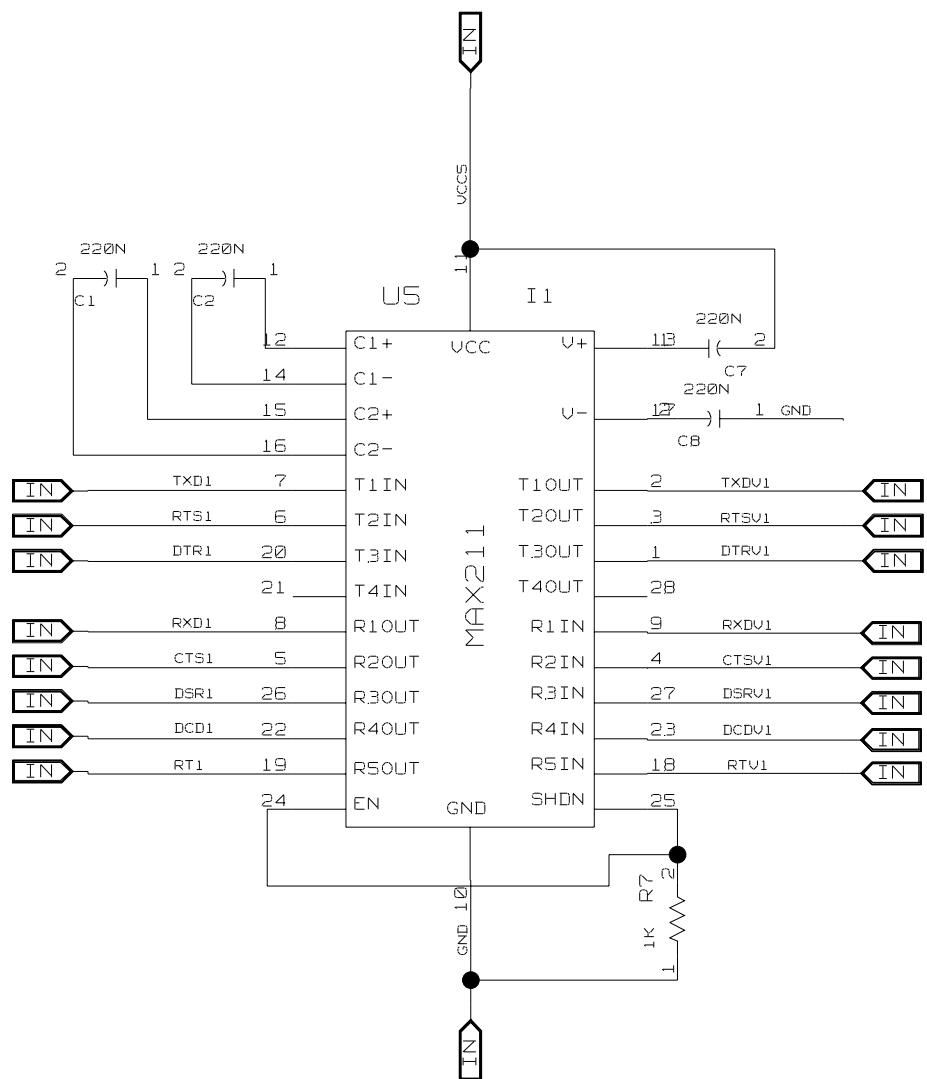
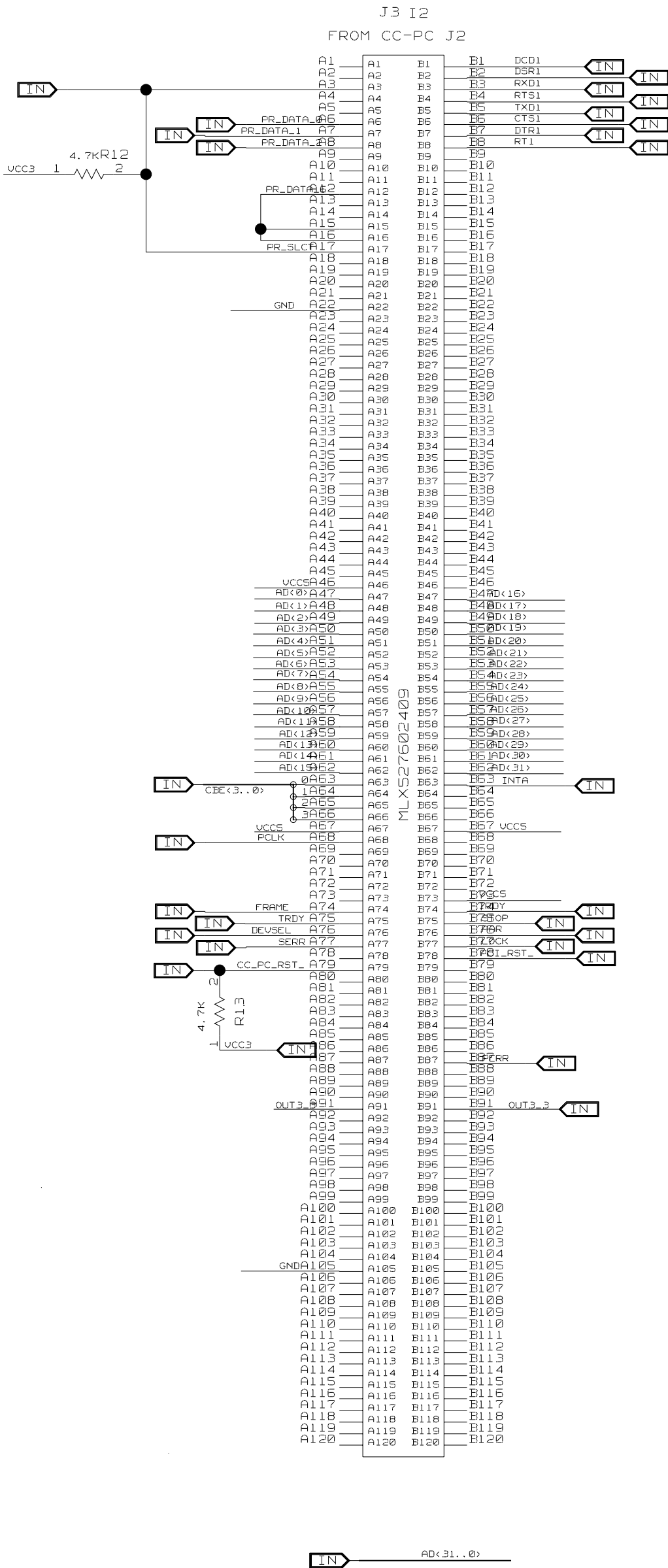


TITLE:	DATE:
GLUE LOGIC - PLX PCI9030 AND BUS SWITCHES	REV. 2.3 - DEC. 2004
ENGINEER:	PAGE:
G. MINI'	1 OF 5



TITLE:	DATE:
GLUE LOGIC - SERIAL PORT AND INTERFACE FPGA	REV. 2.3 - DEC. 2004
ENGINEER:	PAGE:
G. MINI'	2 OF 5



TITLE:
GLUE LOGIC - CCPC CONNECTOR

ENGINEER:
G. MINI?

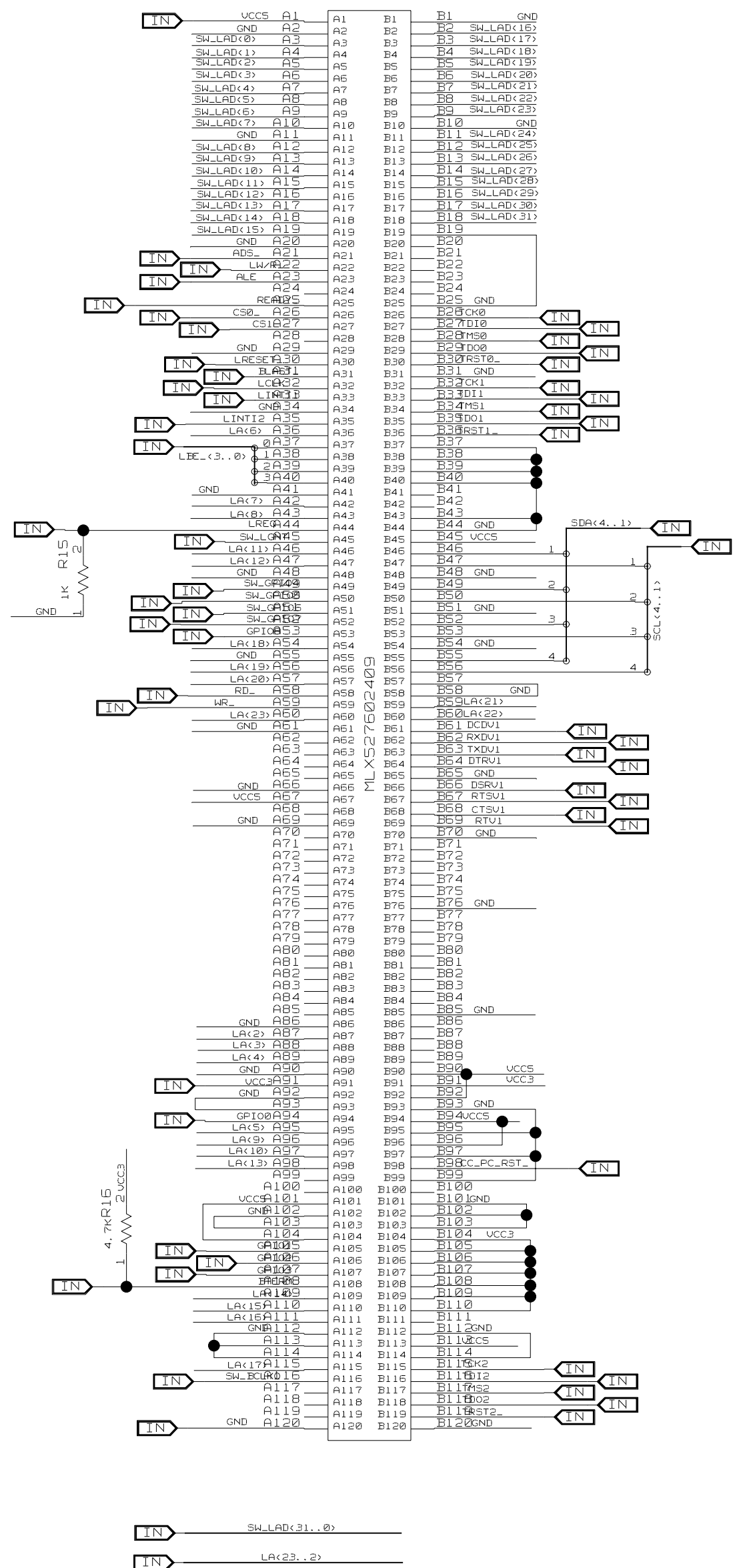
DATE:
REV. 2.3 - DEC. 2004

PAGE:
3 OF 5

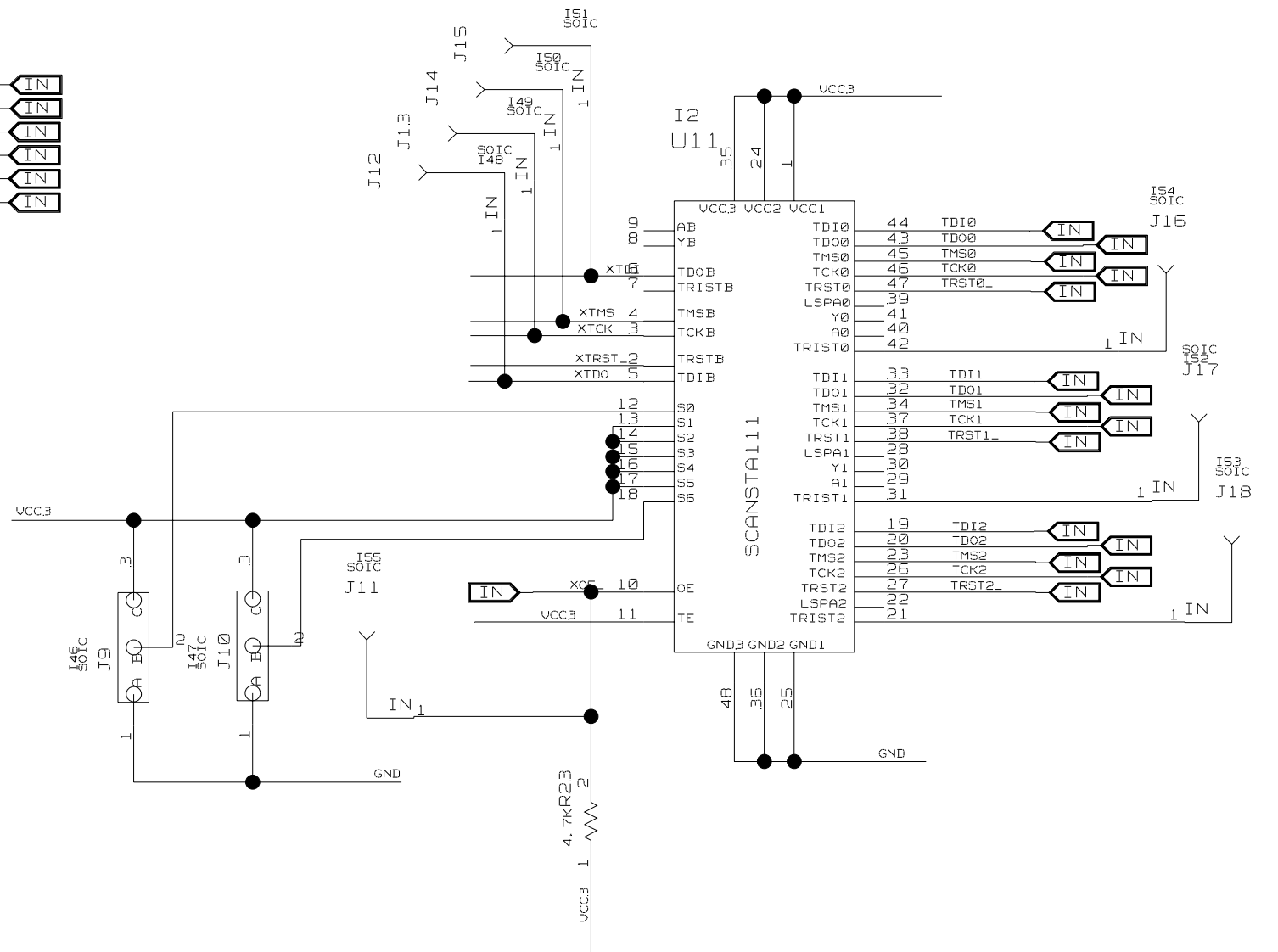
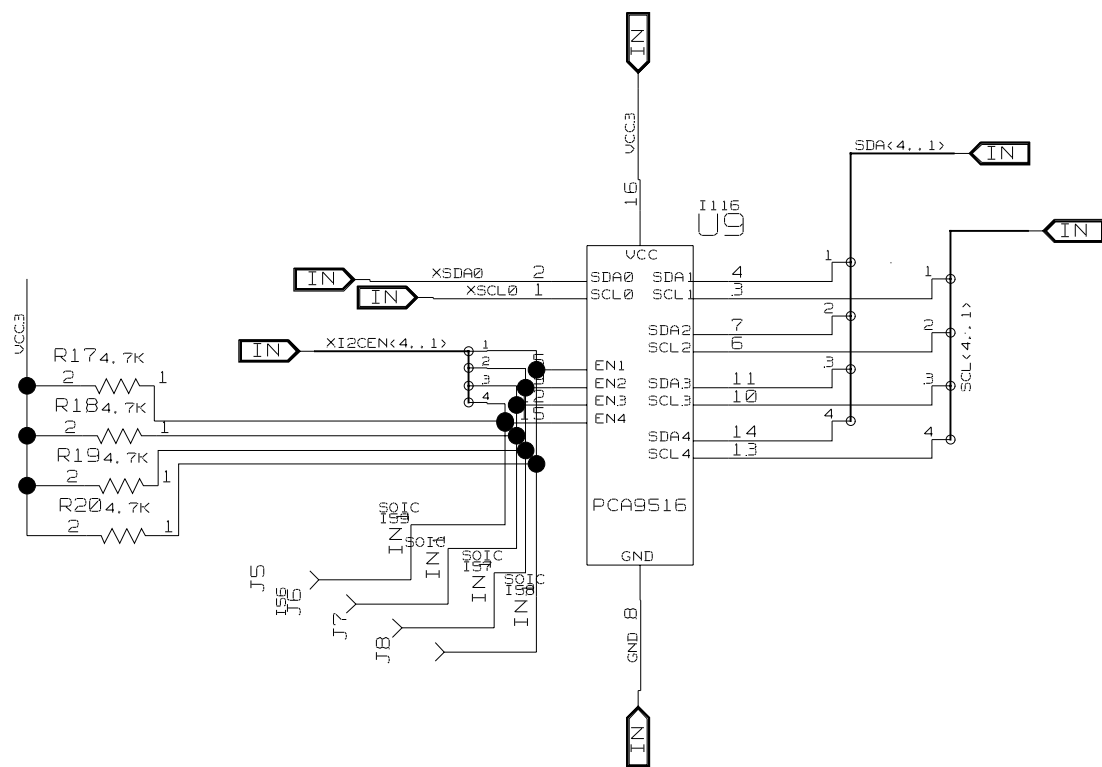
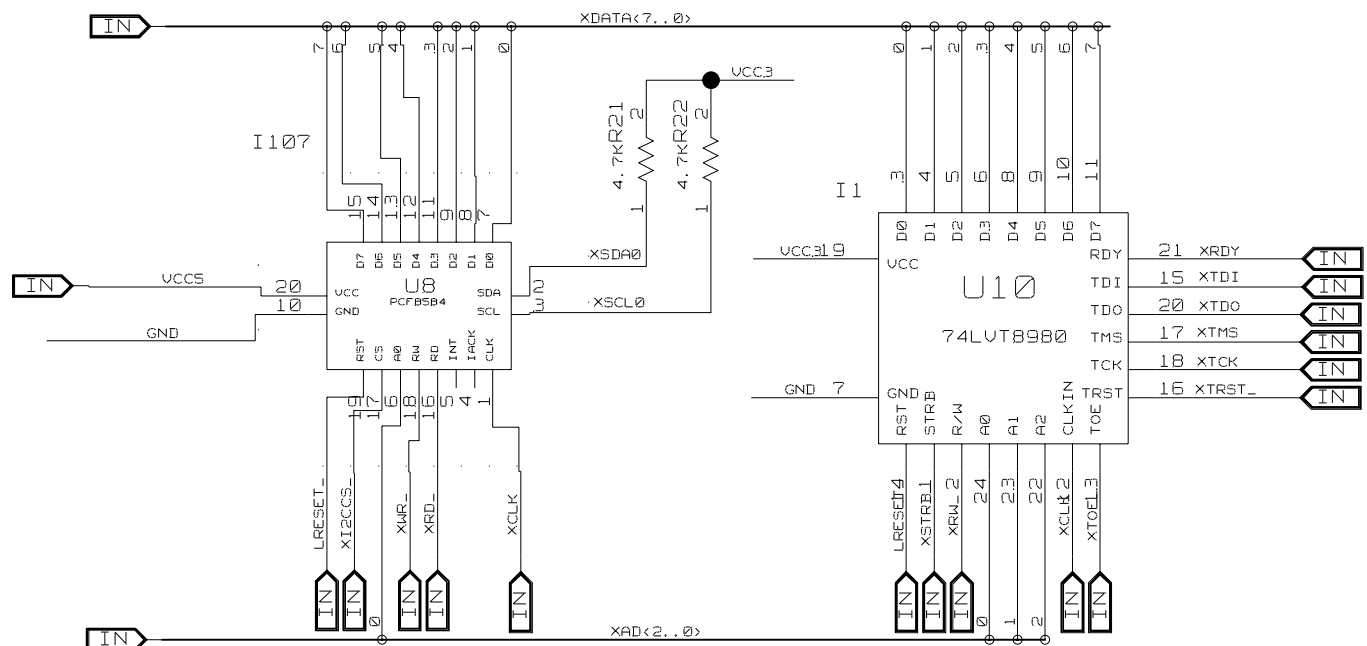
8
7
6
5
4
3
2
1

8
7
6
5
4
3
2
1

I4
LHCB CONNECTOR



TITLE: GLUE LOGIC - LHCB CONNECTOR
 ENGINEER: G. MINI
 DATE: REV. 2.3 - DEC. 2004
 PAGE: 4 OF 5



TITLE:	DATE:
GLUE LOGIC - I2C AND JTAG CONTROLLERS	REV. 2.3 - DEC. 2004
ENGINEER:	PAGE:
G. MINI'	5 OF 5